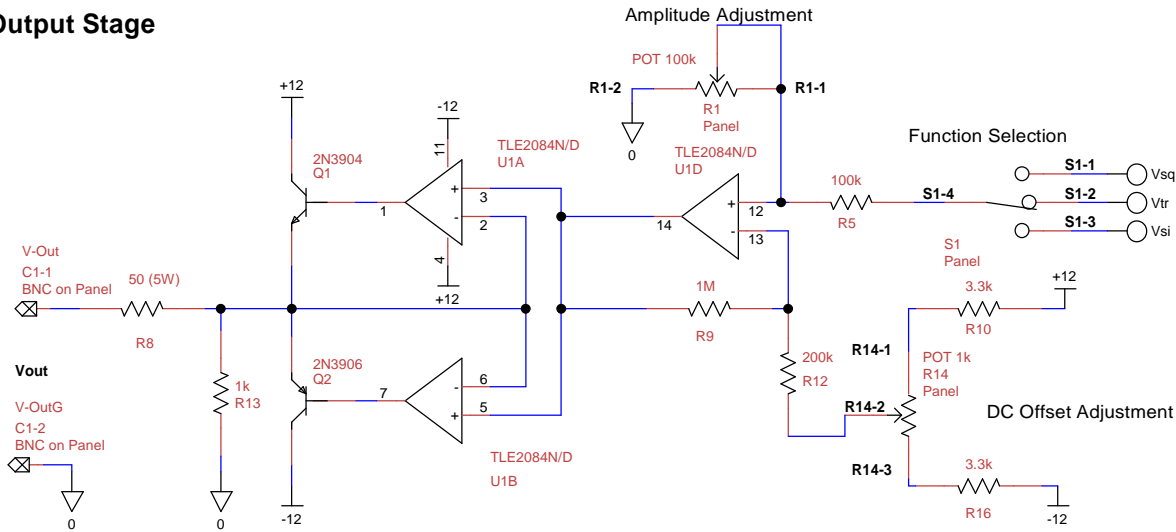


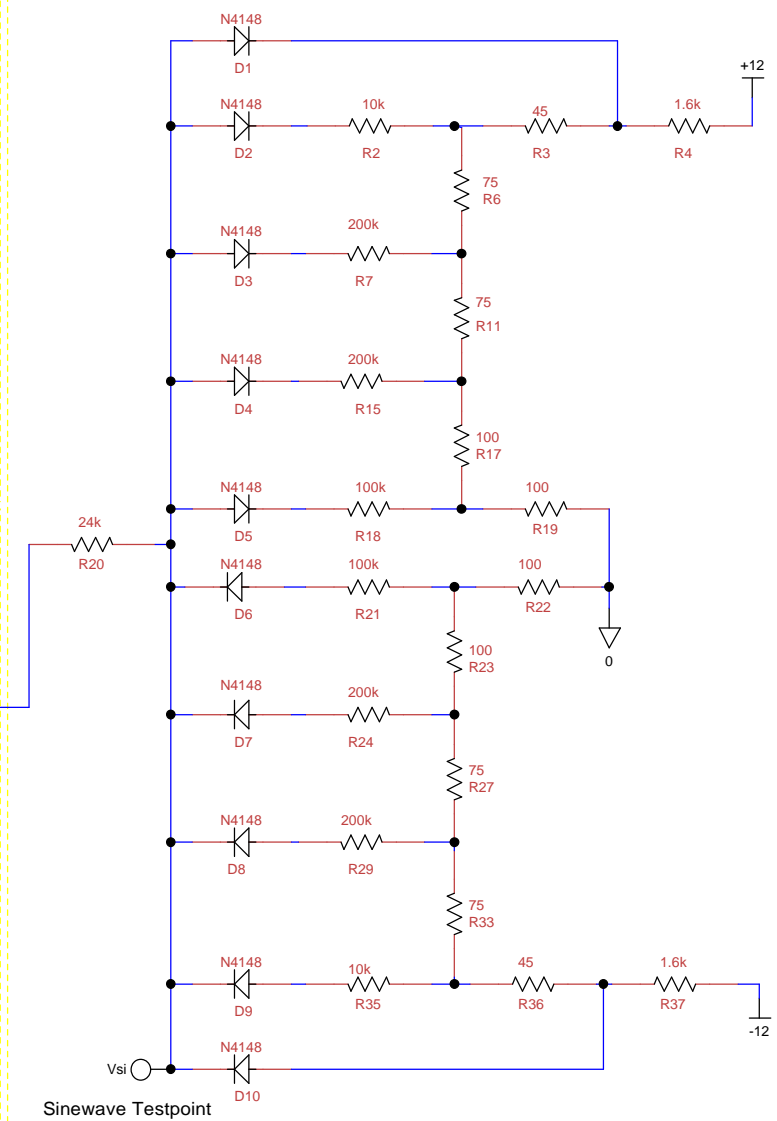
# Function Generator (Square, Triangle, and Square Wave)

Note: All resistors 1/4 W 5% unless otherwise noted

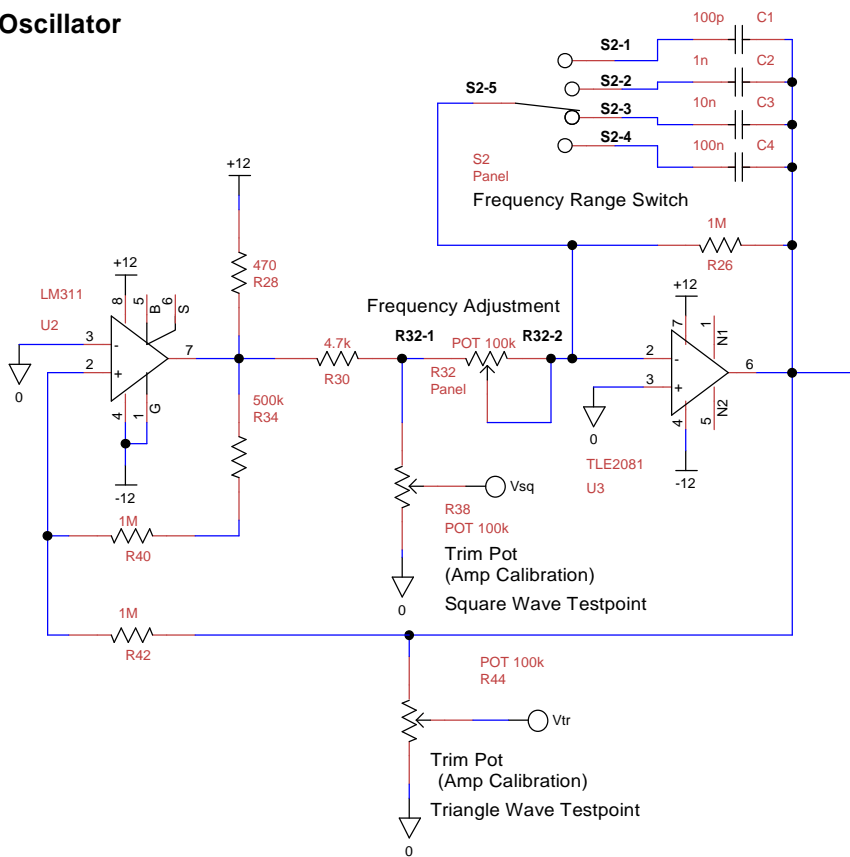
## Output Stage



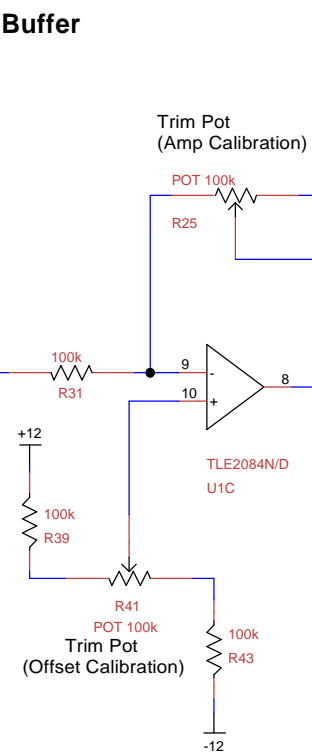
## Passive Sine Wave shaper



## Oscillator



## Buffer



open source hardware



Copyright (C) 2012, Jonathan Weaver  
<http://creativecommons.org/licenses/by-sa/3.0/>

Title Function Generator (v 1.0)		
Author Jonathan Weaver, jonw0224@aim.com <a href="http://jonw0224.tripod.com">http://jonw0224.tripod.com</a>		
File ion Generator\Schematic\Function Generator.dsn		Document
Revision 1.0	Date 11/5/2012	Sheets 1 of 1